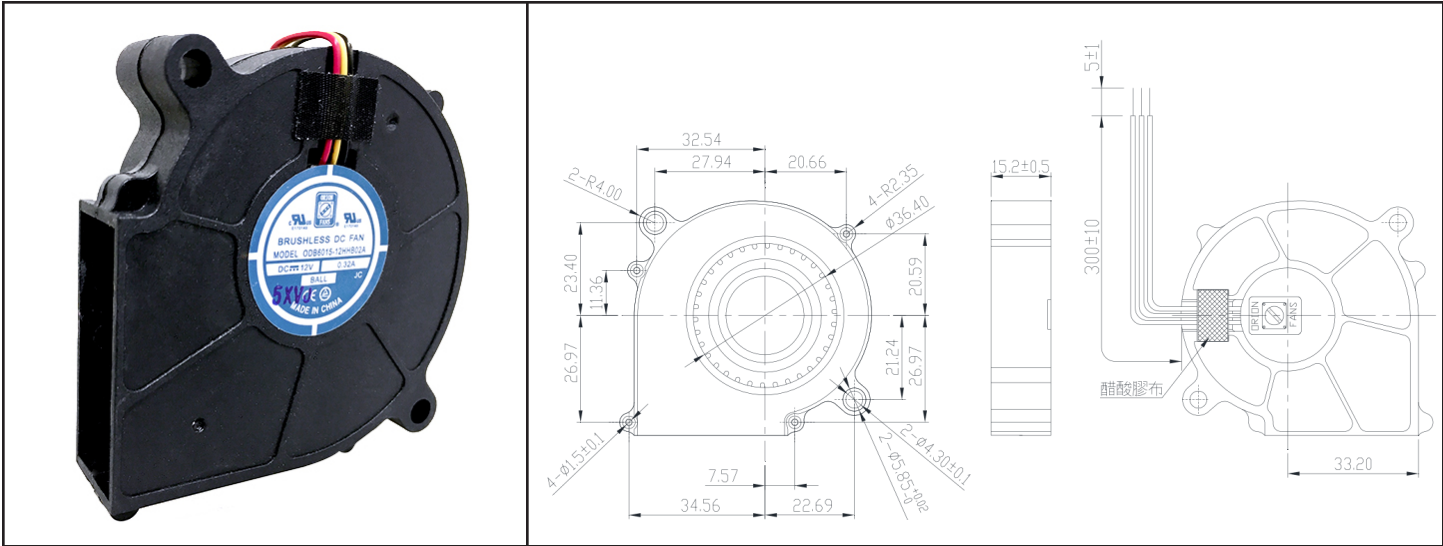


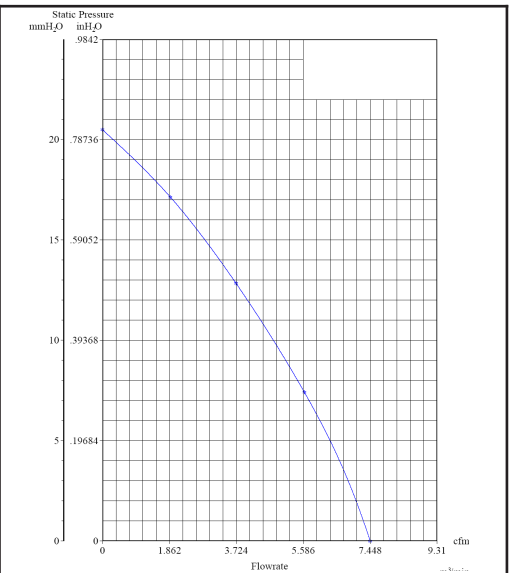
# ODB6015-12HHB02A



DC Blower 12V  
60x15mm (2.36"x .59")

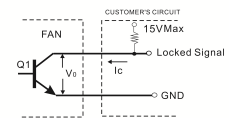


Frame & Impeller	PBT, UL94V-O plastic	Options Available Tachometer
Connecion	3x Lead wires *	
Motor	Brushless DC, auto restart, polarity protected.	Weight: ~ 35 g  * Connection UL1571, 28AWG, ~320mm Red (+) Black (-) Yellow Alarm
Bearing System	Dual ball bearing	
Insulation Resistance	Min. 10M at 500VDC	
Dielectric Strength	1 minute at 500 VAC, max leakage < 500 MicroAmp	
Temperature Range	-10C ~ +70C	
Storage Temperature	-40C ~ +80C	
Life (L10)	70,000 hours (40C)	m1



Part Number	ODB6015-12HHB02A
Nominal Voltage	12V DC
Voltage Range	7 ~ 13.2V DC
Nominal Current	.20 A
Rated Power	3.84 W
Rated Speed (RPM)	5000
Airflow (CFM)	7.45
Noise Level (dB)	44
Max. Static Pressure	.80" H <sub>2</sub> O

Output of locked signal  
\*Output type.....Open collector type  
\*Electrical design suggestion:  
(External signal function design is decided by customer)



\*Transistor Q1 at "ON" position  
Collector current.....I<sub>c</sub>=5mA Max  
Saturation Voltage.....V<sub>ce(sat)</sub>=1.0V Max  
(Between Collector and Emitter at I<sub>c</sub>=5mA)  
\*Transistor Q1 at "OFF" position  
Release Voltage.....V<sub>ce</sub>=15V Max

